



AVENTICS

THE NEW GENERATION
OF MSC SERIES MINI SLIDES
COMPLETELY MODULAR
AND HIGHLY EFFICIENT

Rexroth
Pneumatics

A modular concept for complete freedom of choice

A wide range of configuration options make the mini slide a truly universal handling component. Precise and reliable operation, coupled with a custom configuration tailored to the specific application – these attributes allow the mini slides to assume the actuator role in efficient handling.

The MSC offers very high torque absorption and maximum stability. In addition, it provides technical features that guarantee optimally adjusted functions and maintenance-friendly processes.

During design:

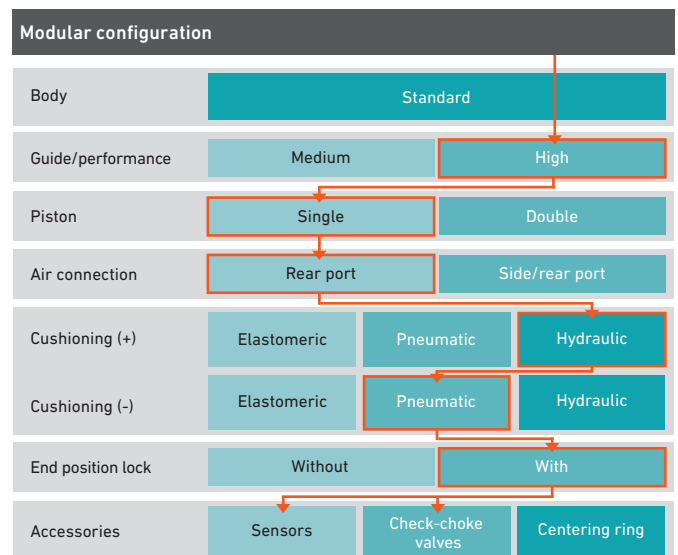
- Internet configurator with intuitive navigation
- Generated configuration with complete documentation, including CAD files, parts list, own material number and price information
- Simple dimensioning with the application-oriented calculation program

During installation and commissioning:

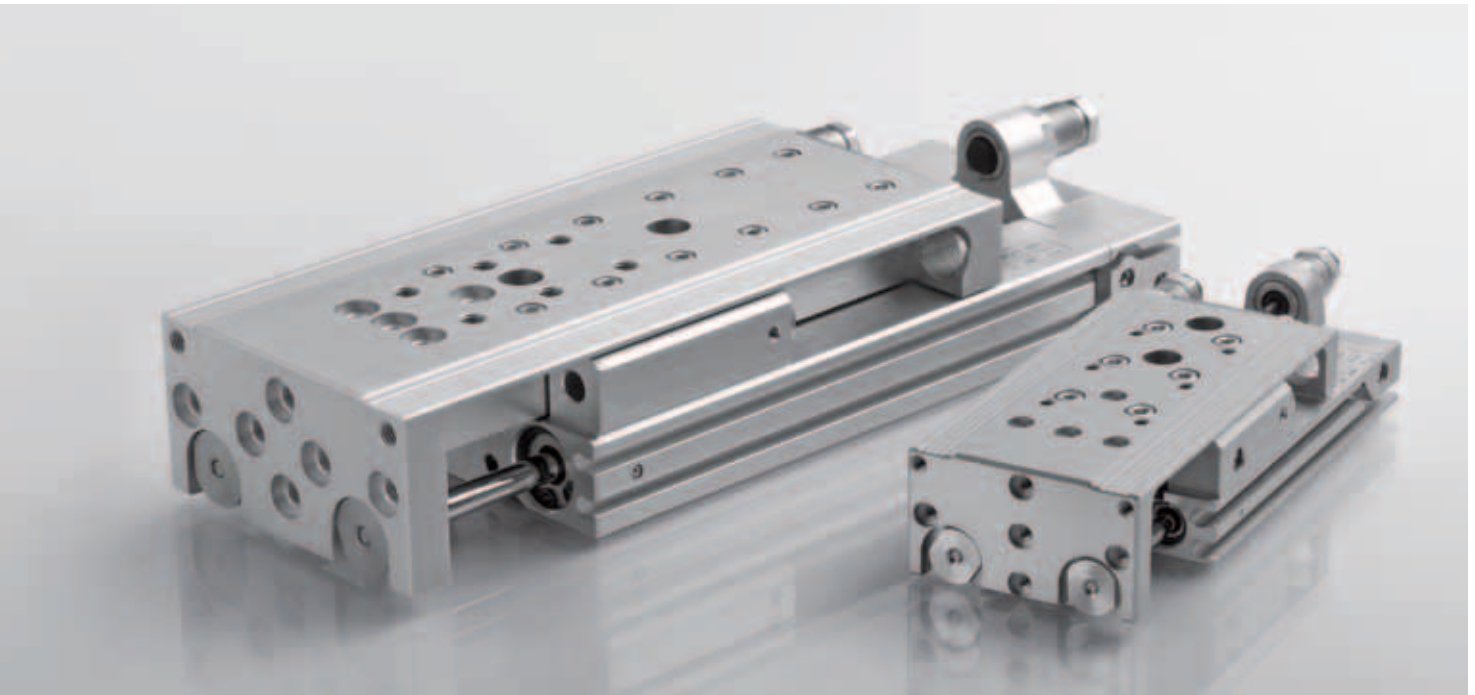
- Each option can be combined universally without affecting the construction volume, in other words: maximum configurability for consistently compact machine designs
- Air connection, sensor mounting, and stroke setting possible on the same side
- Variable stroke adjustment enables different stroke lengths for each individual unit

During operation:

- Dynamic with high guiding accuracy and optimized performance
- One-piece slide table for maximum rigidity and high precision
- Weight-optimized material concept



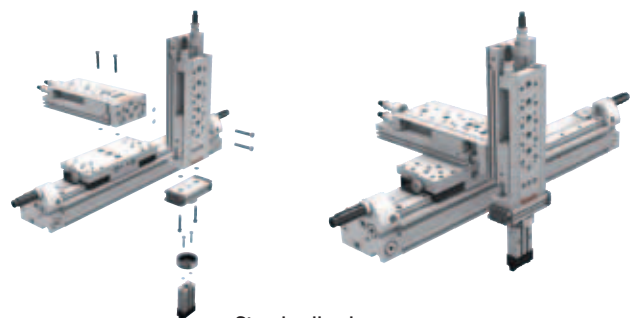
The MSC series assumes a central position in a handling system to ensure precisely guided short-stroke movements



MSC series – easy and cost-efficient combination options

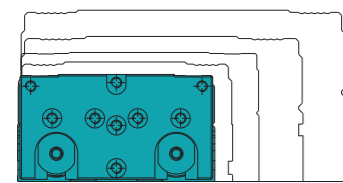
The mini slides have a compact design, require minimal installation space and can be optimally configured for virtually any automated handling task. In addition to their outstanding features, the new generation of mini slides offer a multitude of variants and equipment details.

Quick, reliable and efficient combination – the special Easy-2-Combine interface allows the integration of the mini slides with other components in a handling system, such as rotary modules, rodless cylinders, additional mini slides, or grippers, without the need for extra mounting plates. This is precisely what makes the MSC series a universally applicable component for many tasks in all types of industries, especially in the areas of automation and handling.

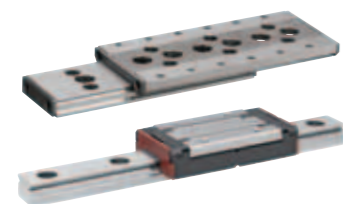


Standardized
Easy-2-Combine interface

Configure your individual product in seven simple steps



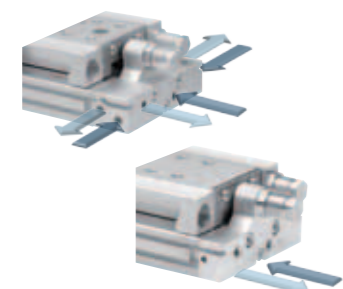
1. Diameter/stroke
The MSC series is available in 5 sizes from Ø 8 to 25 mm and can move payloads from a few grams up to 17 kg.



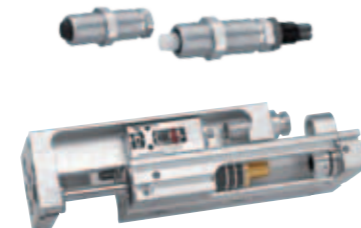
2. Guide unit
The integrated guide unit is available in "Medium" and "High-Performance" categories, which offer different precision, rigidity, and load bearing capacities.



3. Number of pistons
The MSC slide can be equipped with one or two pistons. This allows the adaptation of piston force, speed, guide stability, and vibration values to fit the specific application.



4. Air connections
Depending on requirements, the application and the installation situation, two optional versions of end plates with different air connections are available. One is especially convenient with connections from three sides while the other is very compact with connections on the rear side only.



5. Cushioning
The MSC series includes a comprehensive cushioning system with many options. A new and unique feature is the pneumatic cushioning, which, in addition to the elastic cushioning elements and hydraulic shock absorbers, ensures gentle operation.



6. End position lock
Once vertical process movements have been completed, the unit ensures that the mini slide is held in the end position.



7. Accessories
Whether check-choke valves, centering rings or sensors – the MSC can be customized to the required function with a comprehensive range of accessories. Complete accessory packages facilitate handling and delivery. The new ST4 series sensors are particularly sturdy, precise, and quick to mount.

Advantages at a glance

Maximum rigidity

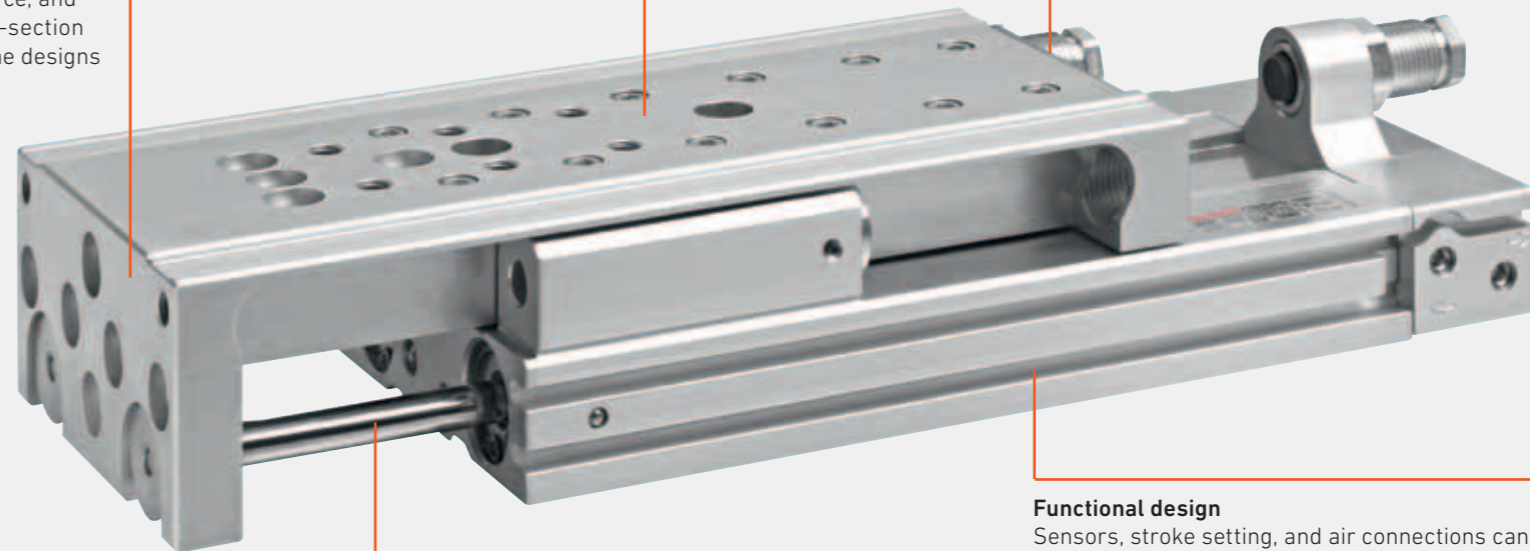
The pre-tensioned guide system without play and one-piece slide table offers maximum stability and reliable precision with minimal tolerance values

Compact and powerful

Optimal bearing capacity, drive force, and functionality within a small cross-section enable especially compact machine designs

Maintenance-friendly

The pneumatic cushioning has the same long service life as the piston drive and therefore the same maintenance intervals. The hydraulic shock absorbers can be replaced without resetting the stroke, which reduces machine down-times. The elastic damping elements are maintenance free



Functional design

Sensors, stroke setting, and air connections can be installed on both sides. This allows optimal adjustment to the installation situation in the machine. The symmetrical design enables parallel mounting of two MSCs

Maximized payload

The symmetrically operating double piston system of the slide unit offers maximum load bearing capacity

AVENTICS GmbH
Ulmer Straße 4
30880 Laatzen, Germany
www.aventics.com
info@aventics.com



Your Contact:

Placeholder for contact information, indicated by four corner brackets forming a large rectangle.

Further contacts:
www.aventics.com/en/contact

The data specified only serve to describe the product. No statements concerning a certain condition or suitability for a certain application can be derived from our information. The information given does not release the user from the obligation of own judgment and verification. It must be remembered that our products are subject to a natural process of wear and aging.